

DIGITUS® Optical Termination Boxes - Small / Medium / Large



✓ Easy and comfortable mounting

✓ Compatible with industry standard

✓ Sturdy cold rolled steel

✓ Available for up to 96 fibers

Abstract

DIGITUS® Optical Termination Boxes - Small / Medium / Large & adapter plates

Features

- Fits comfortably into new and existing interconnect, cross-connect, etc. environments
- Compatible with industry standard equipment frames
- Single door (Small- & Medium type) and double opening door (Large type) with tube style keyed lock for flexibility and security
- Optional magnetic lock available on request
- Cold rolled steel
- Durable textured powder coat finish
- Standard color grey (RAL 7035); color black (RAL 9005) available on request
- Standard density (Small- & Medium type): up to 12 fibers; high density: up to 24 fibers
- Standard density (Large type): up to 48 fibers; high density: up to 96 fibers
- Standard cable stub location on the bottom
- Optional splice trays for splitters available on request
- Boxes are without adapter plates!
- Additional adapter plates available (please see on "Product Number Information")

Product Dimensions and Weights

Type	Product number	Height (mm)	Width (mm)	Depth (mm)	Capacity	Unloaded weight (kg)
Small	DN-96800S	200	150	55	6/12/24	0.8
Medium	DN-96800M	290	320	88	24/48	2.8
Large	DN-96800L	334	436	103	48/96	5.2

Applications

- Telecommunication enclosures
- HUB/OTN sites
- Customer premise
- Co-location sites
- Campus/enterprise environments
- FTTH/FTTB networks

Product Information

The DIGITUS® Professional Optical Termination Boxes (Small, Medium and Large) are designed for the use as a wall mount interconnect point where termination and connectivity of up to 24 fibers (Small type)/48 fibers (Medium type)/96 fibers (Large type) is desired.

This solution allows an easy access to patch cables and pigtailed after opening the hinged cassette tray (Small type)/front door(s) (Medium and Large type). The standard boxes are available empty for complete field configuration, half-loaded with adaptor plates for field termination and cable assembly installation, or stubbed with a factory-installed cable assembly of a user specified length.

Product Number Information - Optical Termination Box, Small Type & Adapter Plates

DN-96800S	Small Optical Termination Box, 200x150x55 mm, with single door, without adapter plate, color grey (RAL 7035)
DN-96826-DX	6 SC/DX adapter plate for DN-96800S, color grey (RAL 7035)
DN-96836-DX	6x LC/DX, 6x E2000/SX adapter plate for DN-96800S, color grey (RAL 7035)
DN-968312-SX	12x LC/DX, 12x E2000/SX, 12x SC/SX adapter plate for DN-96800S, color grey (RAL 7035)
DN-96818-SX	8x ST/SX, 8x FC/SX adapter plate for DN-96800S, color grey (RAL 7035)
DN-968112-SX	12x ST/SX, 12x FC/SX adapter plate for DN-96800S, color grey (RAL 7035)

Product Number Information - Optical Termination Box, Medium Type & Adapter Plates

DN-96800M	Fiber Optical Termination Box, 290x320x88 mm, with single door, without adapter plate, color grey (RAL 7035)
DN-968224-DX	24x SC/DX vertical adapter plate for DN-96800M, color grey (RAL 7035)
DN-968324-DX	24x LC/DX, 24x E2000/SX, 24x SC/SX vertical adapter plate for DN-96800M, color grey (RAL 7035)
DN-968124	24x ST/SX, 24x FC/SX adapter plate for DN-96800M, color grey (RAL 7035)

Product Number Information - Optical Termination Box, Large Type & Adapter Plates

DN-96800L	Large Optical Distribution Box, 334x436x103 mm with double opening door, without adapter plate, color grey (RAL 7035)
DN-968248-DX	48x SC/DX vertical adapter plate for DN-96800L, color grey (RAL 7035)
DN-968348-DX	48x LC/DX, 48x E2000/SX, 48 SC/SX vertical adapter plate for DN-96800L, color grey (RAL 7035)
DN-968148	48x ST/SX, 48x FC/SX adapter plate for DN-96800L, color grey (RAL 7035)

Delivery Content

DN-96800S

1x M20/M25 plastic gland and 1x grommet
1x 50 cm spiral wrap
4x 2.5 mm x10 cable ties

DN-96800M

2x M20/M25 plastic gland
4x adhesive bunny clips
2x 50 cm spiral wrap
4x 2.5 mm x10 cable ties

DN-96800L

4x M20/M25 plastic gland
4x adhesive bunny clips
4x 50 cm spiral wrap
8x 2.5 mm x10 cable ties

Product Images

DN-96800S



DN-96800M

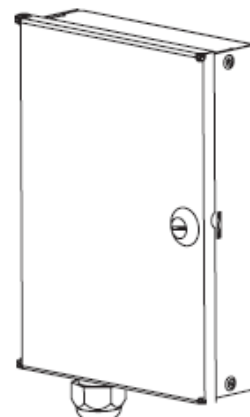
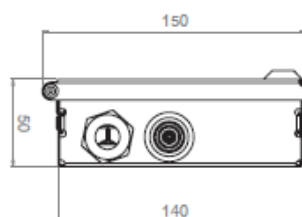
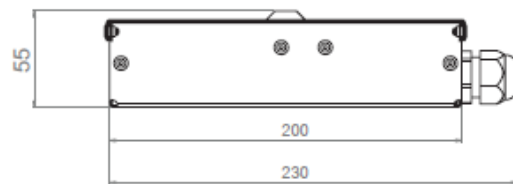
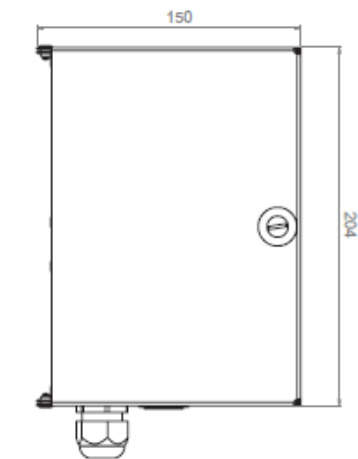


DN-96800L

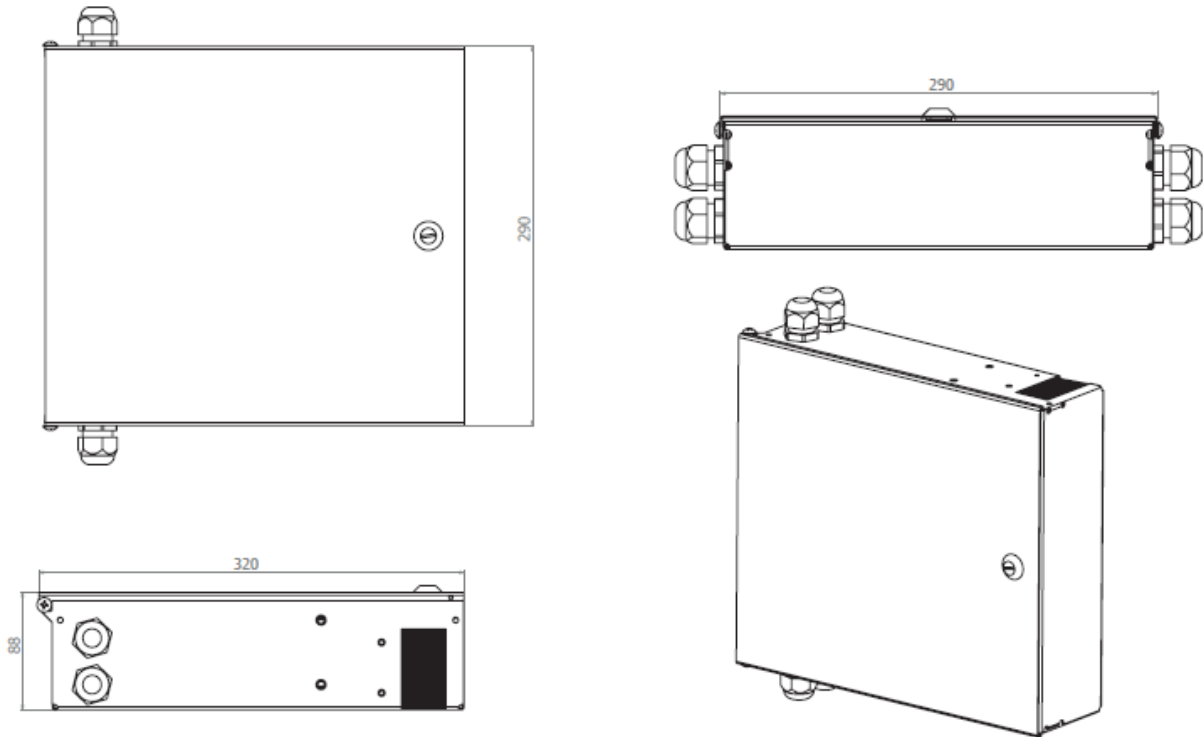


Technical Drawings

DN-96800S



DN-96800M



DN-96800L

